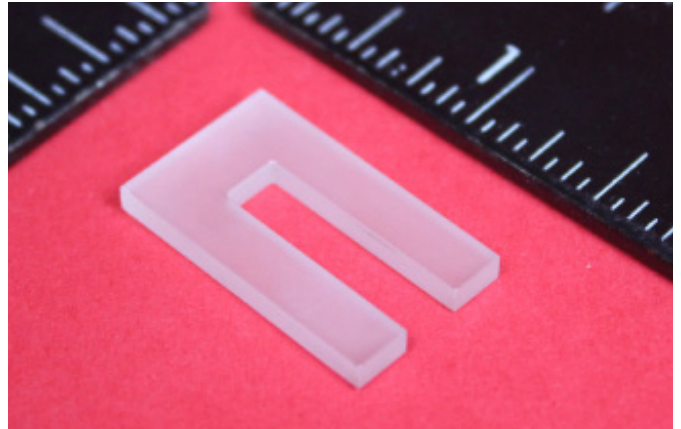




Hanger Clip Type HC

General Information

ZIRCAR Ceramics' Hanger Clip Type HC is an integral load-bearing component in ZIRCAR Ceramics' Furnace Insulation Module (FIM) Hanger System. These single-crystal sapphire (single-crystal aluminum oxide) clips are designed for use with ZIRCAR Ceramics' Hanger Rod Type HR-1. Even after extended use at elevated temperatures as high as 1830°C (3326°F) these single-crystal structures do not creep nor deform making them ideal for use in the roofs of high-temperature furnace insulation systems. Page 2 shows how HC clips are integrated into an insulation lining.



Characteristics & Properties

Aluminum Oxide, %	99.999+
Melting Point, °C (°F)	2053 (3727)
Density, g/cc (pcf)	3.98 (248.46)
Young's Modulus, GPa	380
Tensile Strength, MPa	300 - 400
Hardness, Moh's	9

The data presented herein is intended to help the user to determine the appropriateness of this material for their application. This data is a nominal representation of this product's properties and characteristics and therefore should not be used in preparing specifications.

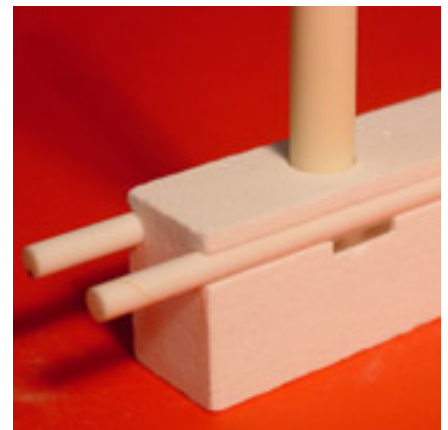
Suggested Applications

Principal support member in high-temperature furnace roof insulation systems operating as high as 1830°C (3326°F).
Seed support in sapphire crystal growth systems.

Hanger Clip Type HC are part of the structural refractory hanger components built into a ZIRCAR Ceramics Furnace Insulation Module (FIM) system.

Pictured to right - Type HC Clip fits securely into the CNC milled slots in an HR-1 Hanger Rod. HR-3A (Alumina) or HR-3M (Mullite) reinforcing rods rest on the HC Clip - providing support for the entire insulation system.

Pictured to far right - SALI-R beam assembly. See more on page 2.



ZIRCAR Ceramics, Inc.

PO Box 519
100 N. Main St., Florida, NY 10921-0519
Telephone: (845) 651-6600
E-mail: sales@zircarceramics.com

Technical Data Bulletin
Hanger Clip Type HC
www.zircarceramics.com
Page 1 of 2

Hanger Clip Type HC

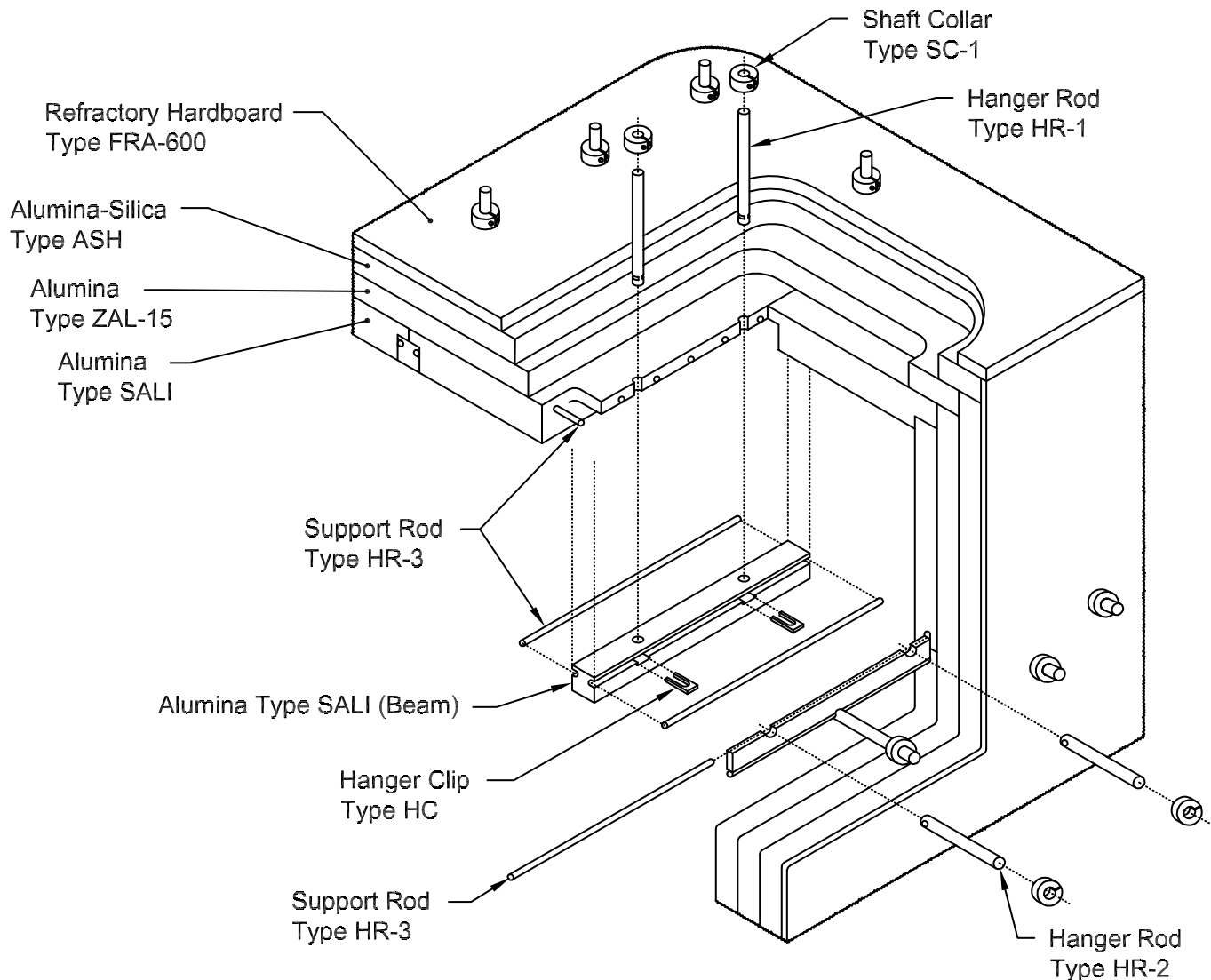
Availability of Standard Hanger Clip

ITEM #	DESCRIPTION
D9103	HC, HANGER CLIP

To Order:

Standard Hanger Clip: order online or specify quantity, item# and description.
Standard Hanger Clips are available for immediate shipment from stock.

Furnace Accessory Map of ZIRCAR Ceramics' FIM (Furnace Insulation Module) Hanger System.



ZIRCAR Ceramics, Inc.

PO Box 519

100 N. Main St., Florida, NY 10921-0519

Telephone: (845) 651-6600

E-mail: sales@zircarceramics.com

www.zircarceramics.com

Revision Date July 19, 2017