



Heating Element Holder Type H

General Information

ZIRCAR Ceramics' Type H Heating Element Holders gently but securely hold Molybdenum Disilicide Heating Elements in place while providing thermal insulation between the element terminals. For use in applications where elements hang freely through the furnace roof. Type H element holders are made of high-quality ZIRCAR Ceramics insulation materials and corrosion-resistant hardware. They assure minimum element terminal temperatures and maximum heating element life.

They consist of a "tab" of insulation secured between a 2-piece element holder "body". Ceramic fiber paper gasketing and stainless steel fasteners are included. Two standard sizes are stocked: H-6 for use with 3/6 elements and H-12 for use with 6/12 elements.



Type H-6 Heating Element Holder installed onto a 3/6 MoSi₂ Heating Element.

Characteristics & Properties

Type	H-6	H-12
Use with element, mm/mm	3/6	6/12
A Spacing, in.(mm)	0.98 (25)	1.97(50)
Tab Length, in. (mm)	3.75 (95.25)	3.88 (98.55)
Body Height, in. (mm)	1 (25.4)	2 (50.8)
Number of fastener sets	1	2
Tab Material	Alumina Type SAL1	
Gasketing Material	Alumina Paper Type APA-1	
Body Material	Alumina Type ZAL-45	

The data presented herein is intended to help the user to determine the appropriateness of this material for their application. This data is a nominal representation of this product's properties and characteristics and therefore should not be used in preparing specifications.

Suggested Applications

Holder for Molybdenum Disilicide Heating Elements where elements hang freely through furnace roof.

ZIRCAR Ceramics, Inc.

PO Box 519
100 N. Main St., Florida, NY 10921-0519
Telephone: (845) 651-6600
E-mail: sales@zircarceramics.com

Technical Data Bulletin
Heating Element Holder Type H
www.zircarceramics.com
Page 1 of 2

Heating Element Holder Type H

Availability of Standard Element Holders

ITEM #	DESCRIPTION
A27001	H-6, TAB=3.75", A=0.98"
A27004	H-12, TAB=3.88", A=1.97"

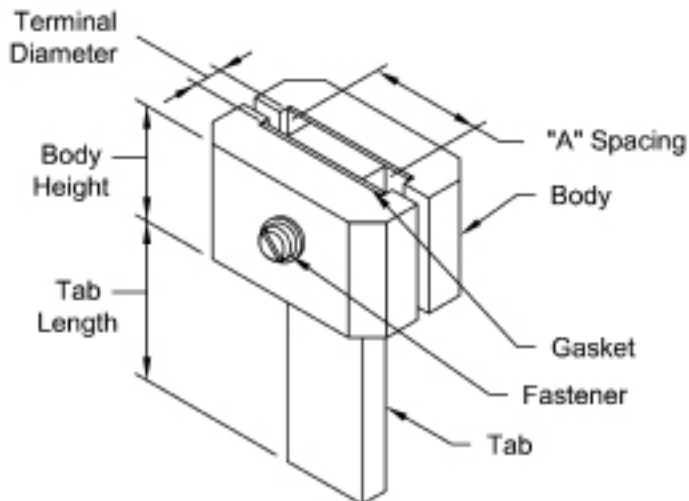
To Order:

Standard Element Holders: order online or specify quantity, item # and description.

Standard element holders are available for immediate shipment from stock.

Custom Element Holders are available in a very wide range of sizes as shown in the chart below:

Terminal Diameter Range, mm	4, 9, 18, 24
A Spacing Range, in.(mm)	0.5 (12.7) to 6 (152.4)
Tab Length Range, in.	0.25 to ~18
Body Height Range, in.	0.50 to 6.0



Schematic shown above can be useful in specifying details for custom Type H Heating Element Holders.

Image at right shows an H-12 Heating Element Holder with Tab length of 3.88" and "A" Spacing of 1.97".



ZIRCAR Ceramics, Inc.

PO Box 519

100 N. Main St., Florida, NY 10921-0519

Telephone: (845) 651-6600

E-mail: sales@zircarceramics.com

www.zircarceramics.com

Revision Date June 23, 2017