



Alumina Furnace Pins

General Information

ZIRCAR Ceramics' Alumina Furnace Pins are made of slip-cast, fine-grain, high-purity Al_2O_3 and are a convenient method for hanging ceramic fiber blanket or boards in furnaces, kilns and other systems with operating temperatures as high as 1700°C (3092°F). Furnace Pins (FP) and Furnace Pin Washers (FPW) are fired to a very high temperature which reduces grain growth and creep during use. Corrosion-resistant steel Furnace Pin Clips (FPC) securely hold the Furnace Pins in place. Three standard-length Pins are offered and are sold in sets that include one pin, one washer and one clip.

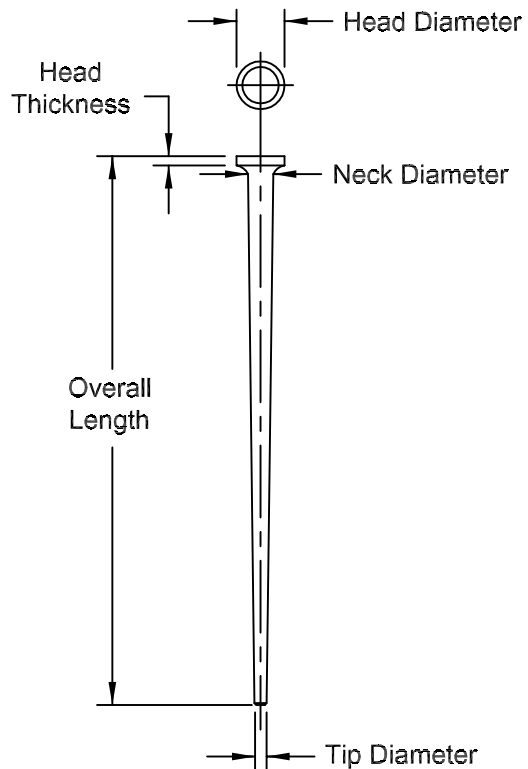


Characteristics & Properties

Component: PIN (FP)	6"	9"	11"
Composition, % Al_2O_3	99.8		
Head Diameter, in.	0.85		
Overall Length, in.	6.5	9.5	11.2
Head Thickness, in.	0.2		
Neck Diameter, in.	0.4		
Tip diameter, in.	0.25	0.2	0.15

Component: Washer (FPW)	
Composition, % Al_2O_3	99.8%
Outer Diameter, in.	3
Hole Diameter, in.	0.5
Thickness, in.	0.15

Component: Clip (FPC)	
Material	Corrosion-Resistant Steel
Length, in.	0.96
Width, in.	0.63
Overall Height, in.	0.14



The data presented herein is intended to help the user to determine the appropriateness of this material for their application. This data is a nominal representation of this product's properties and characteristics and therefore should not be used in preparing specifications.

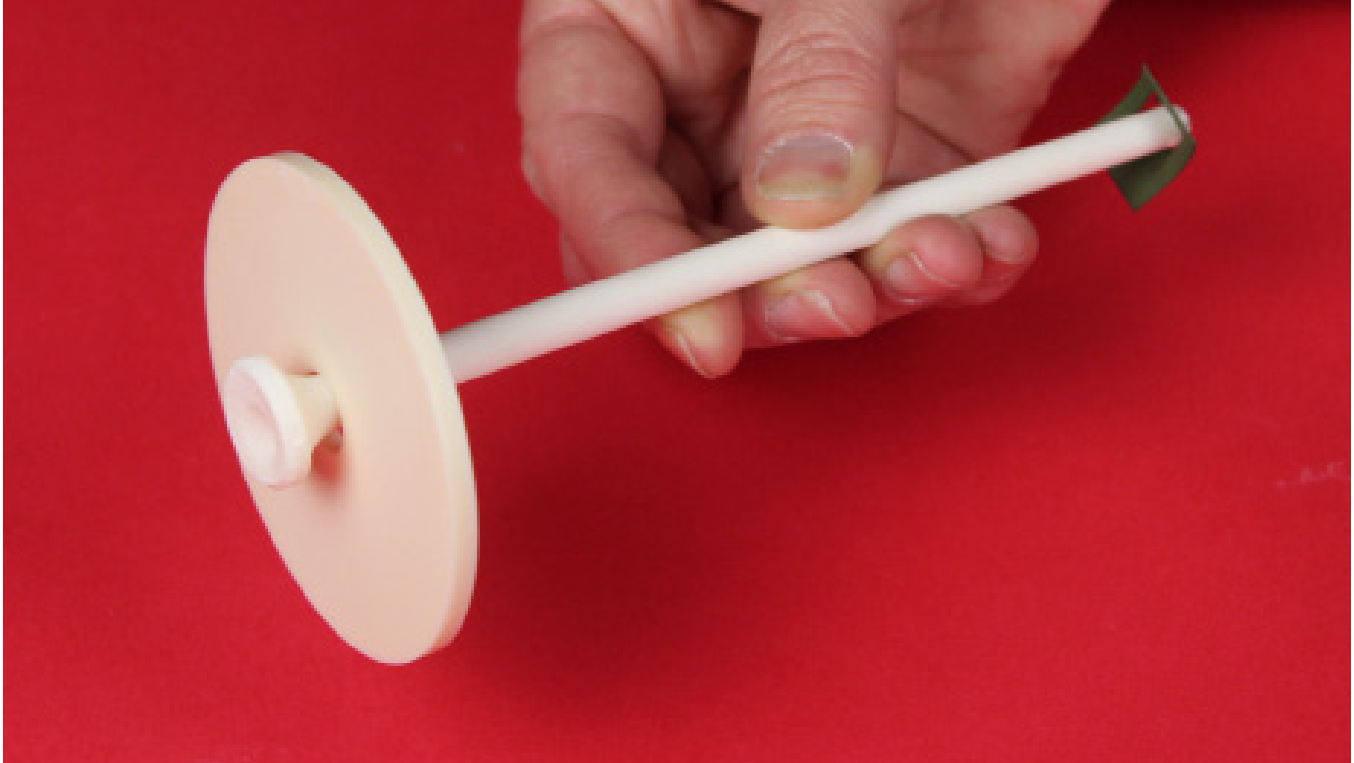
ZIRCAR Ceramics, Inc.

PO Box 519
 100 N. Main St., Florida, NY 10921-0519
 Telephone: (845) 651-6600
 E-mail: sales@zircarceramics.com

Furnace Pins & Washers

Suggested Applications

Hanger for installation of ceramic fiber insulation board and blanket in kilns and furnaces with operating temperatures to 1700°C(3092°F).



Availability of Standard Sets

ITEM #	DESCRIPTION
D201-01*	6" PIN Set
D201-02*	9" PIN Set
D201-03	11" PIN Set

* Denotes standard stocked items.

To Order

Standard Furnace PIN Sets: A standard set consists of one PIN (FP), one Washer (FPW) and one Clip (FPC). Order online or specify quantity, item# and description. Standard PIN Sets are available for immediate shipment from stock.

Standard Tolerances are +/- 4% on all dimensions.

Custom preparations in longer lengths and alternate diameters are available.



ZIRCAR Ceramics, Inc.

PO Box 519

100 N. Main St., Florida, NY 10921-0519

Telephone: (845) 651-6600

E-mail: sales@zircarceramics.com

www.zircarceramics.com

Revision Date June 23, 2016